

MERCEDES-BENZ SPRINTER 316 L2H2 Airco Euro6



Itemno 318496
 Kind Van
 Specification Closed Van
 Matriculation year 2018 / 04
 Mileage 242,510 km

Chassisnumber
 WDB9066331P595408

Technical condition

Remarks
 L2H2 Airco Euro6 Trekhaak 163Pk!
 (A15)

Price €9950

Kleyn Vans B.V.®
 P.O. Box 3
 4214 ZJ Vuren
 Zeiving 12
 4214 KT Vuren
 The Netherlands

IBAN: NL32RABO0317847430
 SWIFT/BIC: RABONL2U

KvK 11044363
 BTW/VAT NL807901337B01

Equipment

Chassis

Number of axles 2
 Configuration 4x2
 Loading Capacity 1,330 kg
 Own weight 2,170 kg
 Gross vehicle weight 3,500 kg
 Unbraked towing capacity 750 kg
 Braked towing capacity, center axle 2,000 kg
 Towing bracket
 Wheelbase 367 cm
 Suspension type spring suspension

Cabin

Cabin type single cabin
 Cruise control
 Airconditioning
 Number of airbags 1
 Parking assistance Front and back
 Electric windows
 Electric mirrors
 Partition
 Radio/cassette
 Color white
 Heated mirrors
 Lighting type Halogen lamps
 Speed limiter
 Bluetooth

Drivetrain

Engine capacity 120 Kw (163 Hp)
 Fuel type diesel
 Euro 6
 Distribution type Timing chain
 Gearbox kind Manual
 Speed limiter
 Number of Gears 6
 Power steering
 ABS
 ASR
 Starter battery

Superstructure

Woodlined box
 Inner box length 333 cm
 Inner box width 177 cm
 Inner box height 196 cm
 Load bed height 68 cm
 Netto height 183 cm
 Rear step
 Roof-rack None
 Back doors Double door

Doors

Central locking

Chairs

Number of seats 3
 Seats configuration 1+2
 Seat cover skai
 Chair adjustment Manually

Remarks

Remarks L2H2 Airco Euro6 Trekhaak 163Pk!

Contact information



info@kleyn.com
 Tel: +31 183 668 444

Certified and professional



Kleyn Trucks differentiates itself from its competitors by offering expert technical services, safety inspections and repair.

MERCEDES-BENZ SPRINTER 316 L2H2 Airco Euro6

KLEYN VANS



Itemno 318496
Kind Van
Specification Closed Van
Matriculation year 2018 / 04
Mileage 242,510 km

Chassisnumber
WDB9066331P595408

Technical condition

Remarks
L2H2 Airco Euro6 Trekhaak 163Pk!
(A15)

Price €9950



KLEYN **KLEYN** **KLEYN** **KLEYN**
GROUP TRUCKS TRAILERS SERVICES

Kleyn Vans B.V.®
P.O. Box 3
4214 ZJ Vuren
Zeiving 12
4214 KT Vuren
The Netherlands

IBAN: NL32RABO0317847430
SWIFT/BIC: RABONL2U

KvK 11044363
BTW/VAT NL807901337B01

Equipment

Tyres/Wheels

Sparewheel
Spare tire profile 8 %
Tire type All weather tyres

Contact information



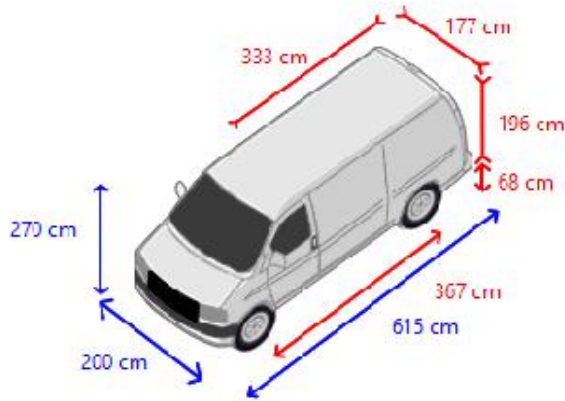
info@kleyn.com
Tel: +31 183 668 444

Certified and professional



Kleyn Trucks differentiates itself from its competitors by offering expert technical services, safety inspections and repair.

Dimensions



KLEYN VANS

KLEYN GROUP **KLEYN** TRUCKS **KLEYN** TRAILERS **KLEYN** SERVICES

Kleyn Vans B.V.®
P.O. Box 3
4214 ZJ Vuren
Zeiving 12
4214 KT Vuren
The Netherlands

IBAN: NL32RABO0317847430
SWIFT/BIC: RABONL2U

KvK 11044363
BTW/VAT NL807901337B01

Inspection report

Chassis

Dashboard display codes

Electrical

Cabin

Internal

External

Steering column

Suspension

Chassis

Brakes

Drivetrain

Engine, general

Cooling system

Fuel system

Exhaust system

Greasing system

Gearbox

Clutch

Drivetrain

Superstructure

Internal condition

External condition

Tyres/Wheels

Tyres

Tires and axles



Tire size: 235/65R16,0
spring suspension
Disc brakes



Tire size: 235/65R16,0
spring suspension
Disc brakes

Contact information



info@kleyn.com
Tel: +31 183 668 444

Legenda for inspection report

Very good state
 Good state
 Reasonable state
 Moderate state
 Does not meet requirements